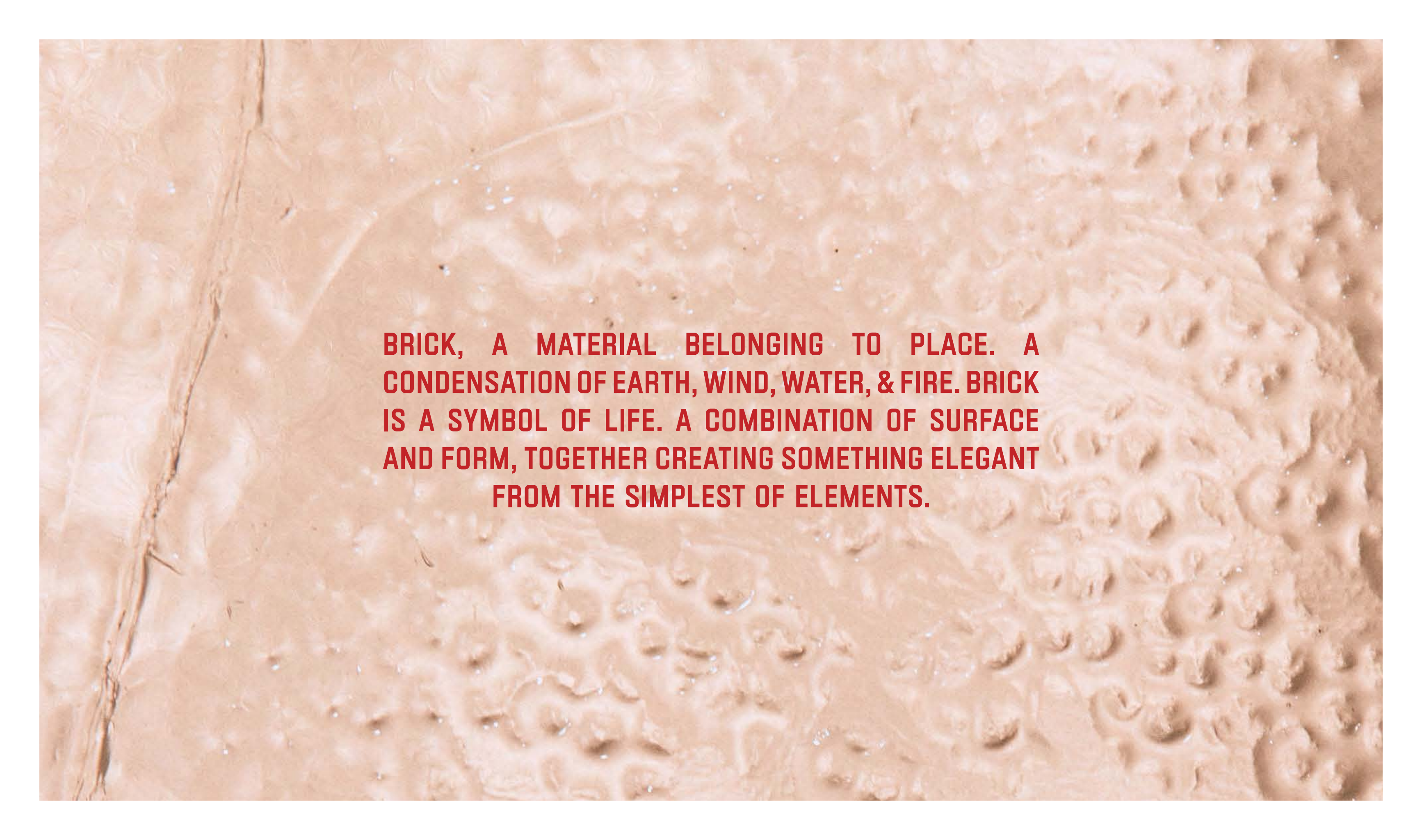


A close-up photograph of a brick wall. The bricks are light-colored and have a rough, textured surface. There is a significant amount of condensation or water droplets on the surface of the bricks, particularly in the upper half of the image. The lighting is soft, highlighting the texture of the bricks and the glistening water. The overall tone is somewhat somber and atmospheric.

# BRICKS

THOMAS MAXAM





**BRICK, A MATERIAL BELONGING TO PLACE. A  
CONDENSATION OF EARTH, WIND, WATER, & FIRE. BRICK  
IS A SYMBOL OF LIFE. A COMBINATION OF SURFACE  
AND FORM, TOGETHER CREATING SOMETHING ELEGANT  
FROM THE SIMPLEST OF ELEMENTS.**





**BRICKS IS A COLLECTION OF COLD PRESSED GLASS LUMINARES THAT EMBELISH THE FORM OF A TRADITIONAL BAKED BRICK. BRICKS IS INTENDED TO ACHIEVE A MORE REFINED COHESIVE WHOLE, UTILISING PATTERN, TEXTURE & ARTICULATION TO PARTNER THE INTERIOR LANDSCAPE.**



**BRICKS**

SCONCE: LANDSCAPE DOUBLE

**THOMAS MAXAM**



# SCONCE

## DIMENSIONS

230 X 76 X 43MM

## MATERIAL

CAST GLASS SHADE, STAINLESS STEEL FRAME

## LUMINARE

12V LED CHIP

## VOLTAGE

12V (REQUIRES 12V CV TRANSFORMER)

## WATTAGE

8W

## LIFESPAN

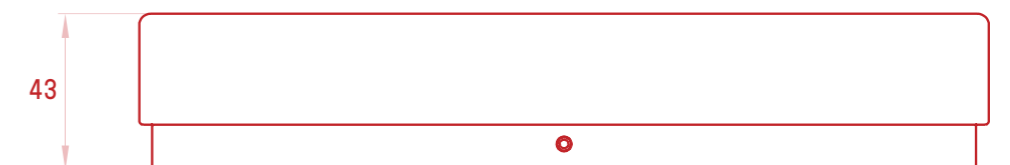
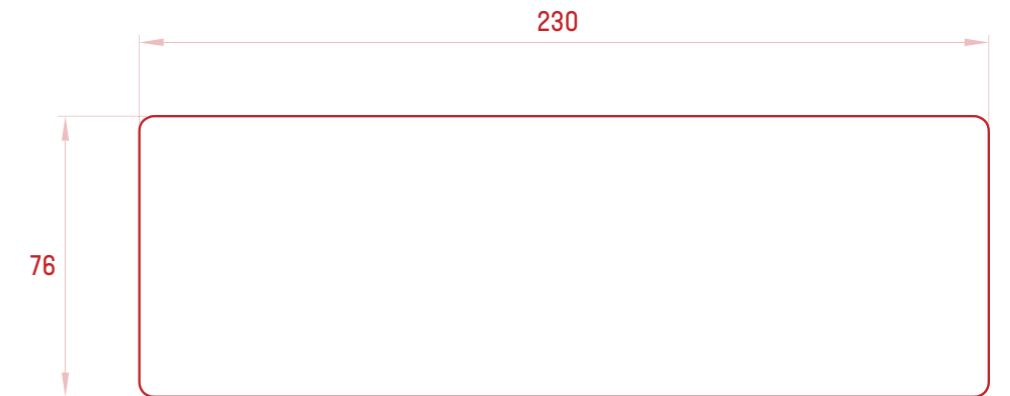
25,000 HRS

## IP RATING

IP-20 (FOR INDOOR USE ONLY)

## WEIGHT

1.3KG





**BRICKS**

LINEAR, 5 PIECE.

**THOMAS MAXAM**

# LINEAR

## DIMENSIONS

940 X 76 X 60<sub>MM</sub>

## MATERIAL

CAST GLASS SHADE, STAINLESS STEEL FRAME

## LUMINARE

12V LED CHIP

## VOLTAGE

12V (REQUIRES 12V CV TRANSFORMER)

## WATTAGE

36W (EACH ADDITIONAL UNIT ADDS AN ADDITIONAL 8W)

## LIFESPAN

25,000 HRS

## IP RATING

IP-20 (FOR INDOOR USE ONLY)

## WEIGHT

10KG

## OVERALL DROP

MADE TO ORDER  
(MAX 3000MM)

## VARIATIONS

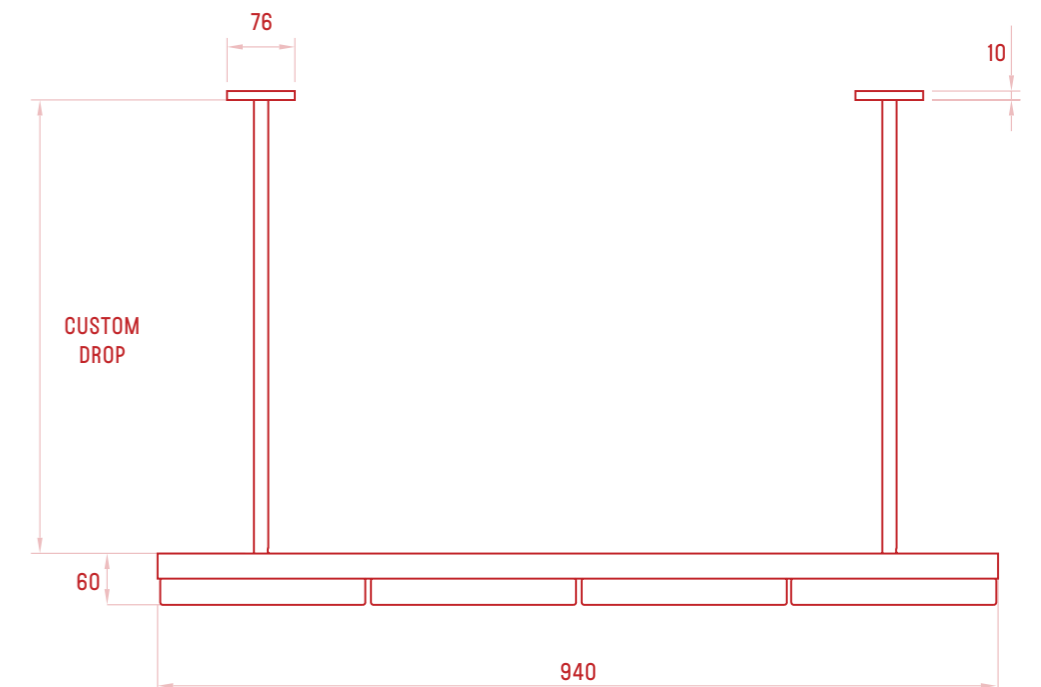
4 UNIT - 940<sub>MM</sub>

5 UNIT - 1175<sub>MM</sub>

6 UNIT - 1410<sub>MM</sub>

7 UNIT - 1645<sub>MM</sub>

EACH ADDITIONAL UNIT ADDS 235MM TO  
THE OVERALL LENGTH







**BRICKS**  
PENDANT

**THOMAS MAXAM**



# PENDANT

## DIMENSIONS

230 X 76 X 45MM

## MATERIAL

CAST GLASS SHADE, STAINLESS STEEL FRAME

## LUMINARE

12V LED CHIP

## VOLTAGE

12V (REQUIRES 12V CV TRANSFORMER)

## WATTAGE

8W

## LIFESPAN

25,000 HRS

## IP RATING

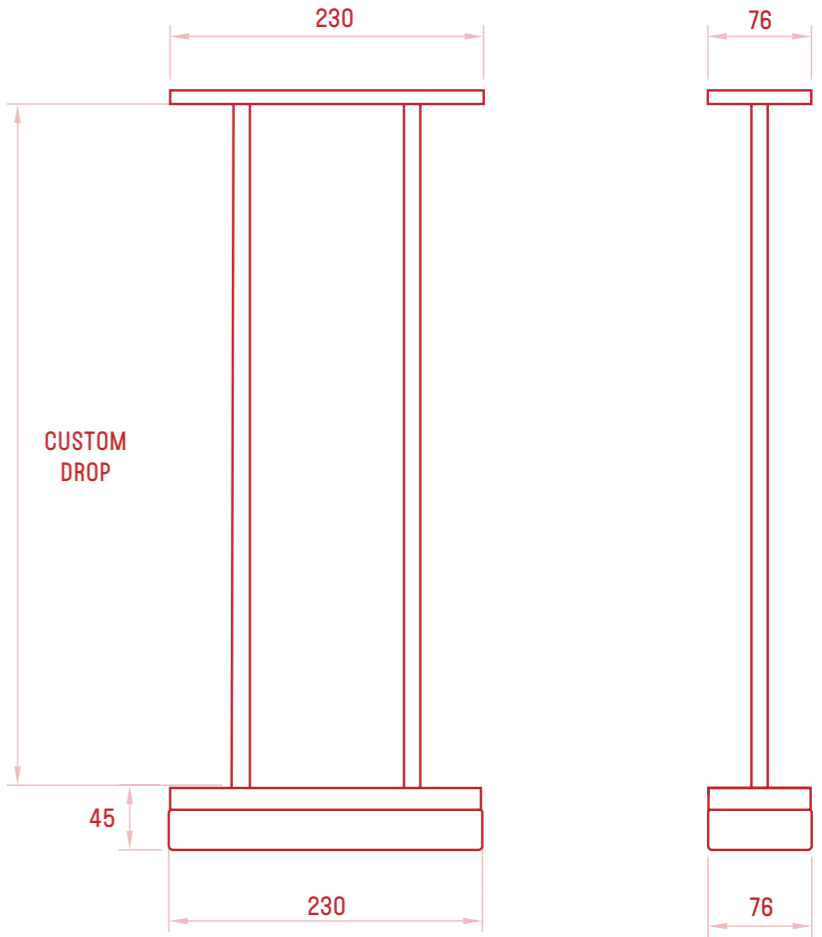
IP-20 (FOR INDOOR USE ONLY)

## WEIGHT

3KG

## OVERALL DROP

TBC BY CLIENT  
(MAX DROP 3000MM)





**BRICKS**  
LANTERN & SCONCE

**THOMAS MAXAM**



# LANTERN

## DIMENSIONS

230 X 175 X 175MM

## MATERIAL

CAST GLASS SHADE, STAINLESS STEEL FRAME

## LUMINARE

12V LED CHIP

## VOLTAGE

12V (REQUIRES 12V CV TRANSFORMER)

## WATTAGE

32W

## LIFESPAN

25,000 HRS

## IP RATING

IP-20 (FOR INDOOR USE ONLY)

## WEIGHT

8KG

## OVERALL DROP

TBC BY CLIENT  
(MAX 3000MM)







# THOMAS MAXAM

[WWW.THOMASMAXAMSTUDIO.COM](http://WWW.THOMASMAXAMSTUDIO.COM) - [HELLO@THOMASMAXAMSTUDIO.COM](mailto:HELLO@THOMASMAXAMSTUDIO.COM)